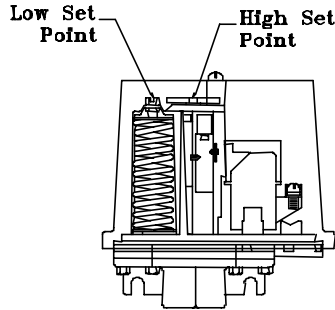


Setup Instructions

Alco Pressure Switch



Open the controller door and locate the Alco pressure switch near the bottom of the enclosure. Loosen the knurled nut on the top of the clear plastic cover and remove the cover.

The Alco pressure switch has two adjustable set points. There is attached to one of the setting screws a black plastic “star wheel” to aid in the adjustment of the set points. The star wheel may be moved from one setting screw to the other if necessary. A flat blade screw driver may also be used to adjust the set points. The upper (or high) set point is the pressure at which the pressure switch will reset and the contacts will open and allow the pump to stop. Using the setting screw on the right side adjust the red pointer to the desired stop pressure. The stop pressure is normally set at a pressure less than the “churn” pressure of the pump (including minimum suction pressure). If this pressure is set too high the pressure switch will never reset and the pump will never stop. The lower set point is the pressure at which the switch contacts will close and the controller will start the pump. Using the setting screw on the left side above the spring adjust the green pointer to indicate the desired start pressure. *Note that adjusting the low set point will not have any affect on the high set point, but the high set point will have an effect on the low set point. If the high set point is lowered the low set point will be also lowered. It will be necessary to go back and readjust the low set point if the high set point is changed.*

Verify the pressure settings by reducing the pressure in the sensing line to the controller until the pump starts and read the pressure on a separate pressure gauge. After the pump starts and the pressure in the system rises note the pressure at which the Alco resets. It may be necessary to readjust the pressure switch to obtain the exact pressures desired. Replace the plastic cover and secure the knurled nut on top of the unit.