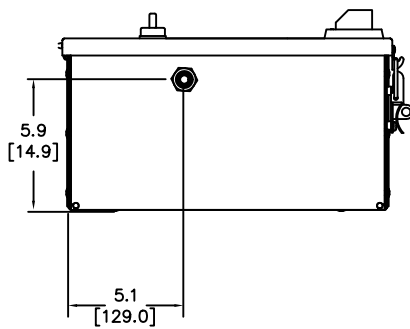


BACK OF CABINET




PILOT DEVICE LEGEND

R1. HAND-OFF-AUTO SWITCH

THREE PHASE		SINGLE PHASE	
HORSEPOWER	V.A.C.	HORSEPOWER	V.A.C.
.25 - 5	200	.25 - 1.5	110
.25 - 5	208		
.25 - 5	240		
.25 - 10	380/415	.25 - 3	200
.25 - 15	460		
.25 - 10	575	.25 - 3	240

NOTES:
ALL DIMENSIONS ARE SHOWN IN INCHES AND CENTIMETERS ([]).

CABINET OUTLINE, STANDARD CUBE M15 JOCKEY PUMP CONTROLLER NEMA-2 & NEMA-3R ENCLOSURE	DRAWN	JA	03/20/07	 METRON, INC. DENVER, CO.
	CHECK	RA	04/20/07	
	APPD	MLX	04/20/07	
				CD34186A
				SCALE N.T.S. SHEET 1 OF 1