

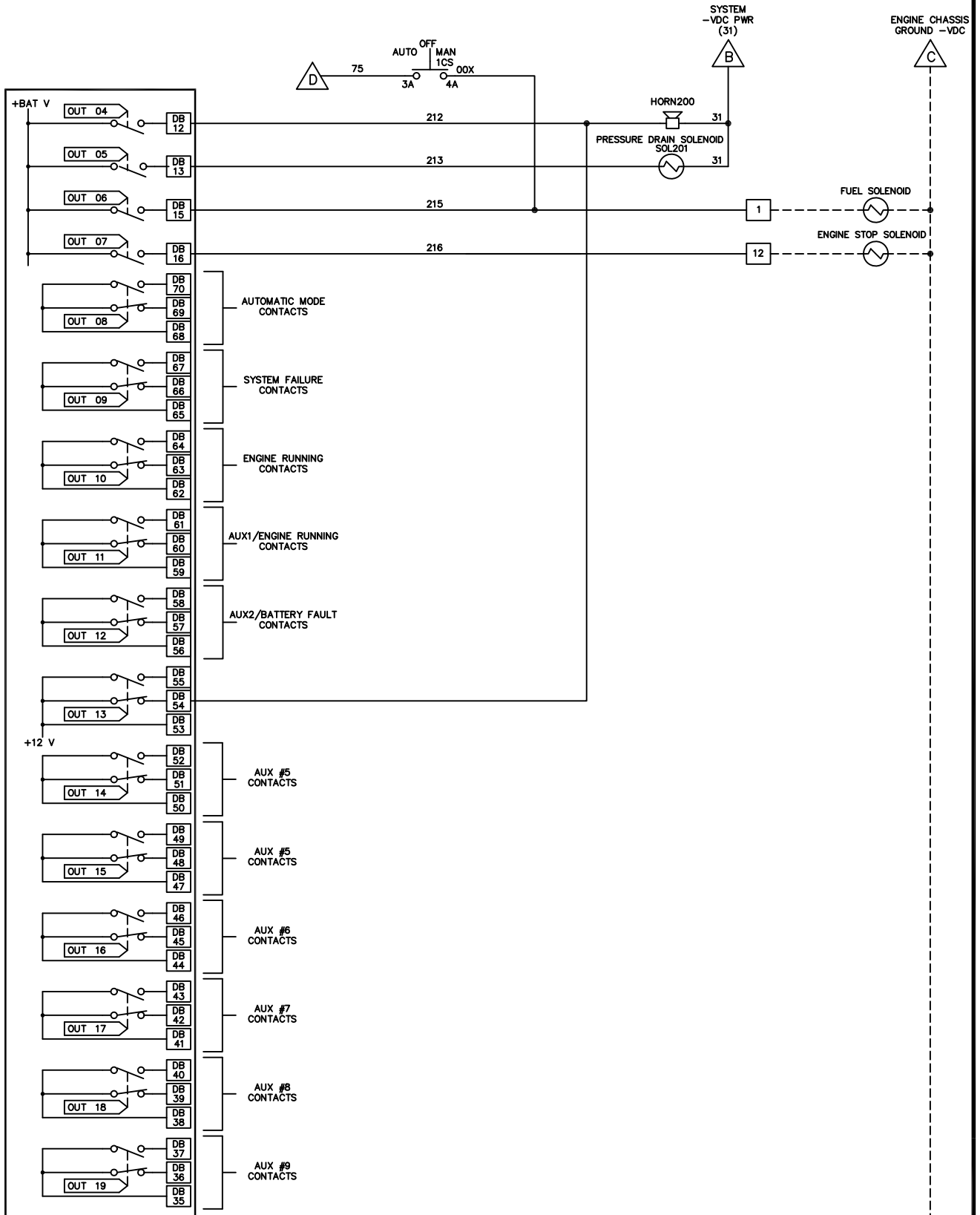
200

230

240

250

260



MOTHERBOARD
JUMPER SETTINGS

GND AIN01
mA

DAUGHTERBOARD
JUMPER SETTINGS

J17, J18 0-10AMPS CHARGER (OPTION J)
OR
 J17, J18 0-20AMPS CHARGER (OPTION JJ)

DRAWN	ΔX	02-02-04
CHECK	E.F.	02-06-04
APPD	W.M.	02-06-04

METRON, INC.
DENVER, CO.

OPTIONS: J

CS33613F

SCALE NTS SHEET 2 OF 2

SCHEMATIC DIAGRAM
FD4 DIESEL ENGINE
FIRE PUMP CONTROLLER